



**SOLUTEX**



High quality equipment for your paint facility, accept nothing less

## Dual Spray Gun Washers for Solvent and Waterborne Paints



## INTRODUCTION

Our range of paint spray gun washers are robust and manufactured to a high quality. We use our own high quality pumps designed and built for long life and trouble free operation. Washers are built completely in stainless steel, all designed to provide long life. You are sure to find a washer in our extensive range that meets your requirements.

The solvent spray gun washers are designed specifically for use with thinners or gunwash solvents and are ATEX certified for use in flammable zones such as car body shops. Unlike many washers on the market many of our Washers come with inbuilt air extraction systems that help protect the operator when in use. Most of our Washers can be used for colour tests too making them truly versatile.

The water based Paint spray gun washers are designed specifically for use with water and can be used with our additive REMOVER for outstanding results. Many of the water washers have an inbuilt water treatment kit for water recycling and waste reduction.

**OPTIONAL: KIT M (for thinner) diaphragm pump type MP for manual wash with brush fed with cleaner**

**OPTIONAL: KIT F (for thinner) extra diaphragm pump type PA for final washing in tank**

To make identification simple, look for the following symbols when selecting your Washer:



Suitable for washing with water.



Suitable for washing with solvent

If you need any assistance in choosing your Washer, simply phone or email us and we can recommend the best way to clean your parts.

+44



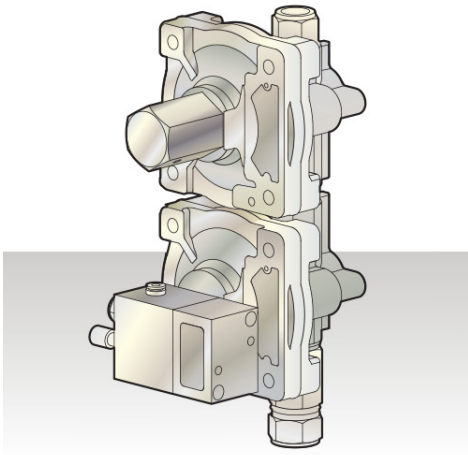
(0) 1691 622225



[sales@solutex.co.uk](mailto:sales@solutex.co.uk)

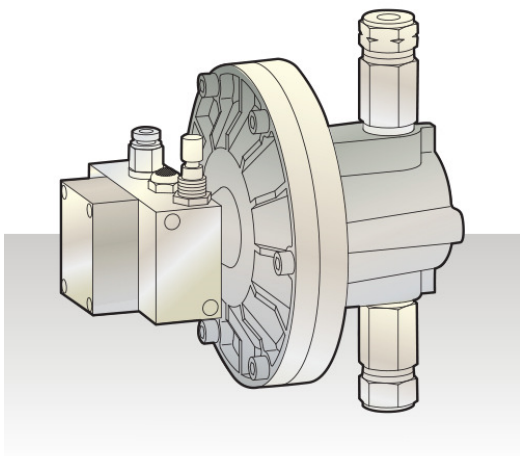
## OPTION KIT M

- Kit made up of diaphragm MP pump, liquid fed brush and hoses
- For washing with brush fed recirculating liquid
- Factory fit option only



## OPTION KIT F

- Kit made up of diaphragm pump PA, push button and hoses
- For final wash with clean thinner
- Set up in factory and before unit delivery only



## 135 Speedy Clean. Combined manual washer with water and solvent.



II 2G



- Very compact unit, simply hang on the wall.
- 4 tanks of 5 litres each
- One pump with dirty fluid for both zones (pre-wash)
- One nebulizer with clean fluid for both zones
- Brush for manual washing
- Works with water plus detergent and thinner
- Washes whole spray guns, nozzles, paint cup, stirrers, paint filters etc..
- Produces very low vapours
- Exhaust system built in
- Air gun for drying
- Can be used inside or outside spray booth
- 100% stainless steel
- ATEX II 2G



Dimensions	Weight	Operation	Air Pressure
450 x 310 x 830 mm	10 kg	Pneumatic	Min 6 - max 10 bar

## L10 Combined Manual with water



II 2G



- Combi unit for manual wash of waterborne and solvent based paint
- Automatic vapour exhaust from work area
  - **Water zone**
- Venturi pump for washing with recirculating liquid
- Nebulizer for clean water final rinse
- Air gun for final drying
- Water / paint separation kit **not included**
- - **Solvent zone**
- Pre-wash with Venturi pump fed recirculating thinner
- Venturi pump feeding clean thinner
- Nebulizer for final rinse with clean thinner
- Colour tests allowed
- 100% Stainless steel
- ATEX II 2G



**OPTIONAL: KIT M (for thinner)**

**OPTIONAL: KIT F (for thinner)**

Dimensions	Weight	Operation	Air Pressure	Exhaust duct
990 x 690 x 1490 mm	72 kg	Pneumatic	Min 6 - max 10 bar	120 mm

## L20 M Combined. Manual with water and solvent



II 2G



- Combi unit for manual wash of waterborne and solvent based paint
- Automatic vapour exhausti from work area
  - Water zone
- Pre-wash with brush and pump fed recirculating liquid
- Nebulizer for final rinse with clean water
- Air gun for final drying
- Water/paint separation kit included
- 
- Solvent zone
- Pre-wash with Venturi pump fed recirculating thinner
- Venturi pump feeding clean thinner
- Nebulizer for final rinse with clean thinner
- Colour tests allowed
- 100% Stainless steel
- ATEX II 2G



**OPTIONAL: KIT M (for thinner)**

Dimensions	Weight	Operation	Air Pressure	Exhaust duct
990 x 690 x 1490 mm	85 kg	Pneumatic	Min 6 - max 10 bar	120 mm



**G40 M** Combined. Manual with water, automatic with solvent.



II 2G



- Combi unit, automatic and manual wash of waterborne and solvent based paint
- Automatic vapour exhaust from work area
  - **Water zone**
- Pre-wash with brush and pump fed recirculating liquid
- Nebulizer for final rinse with clean water
- Air gun for final drying
- Water/paint separation kit included

**OPTIONAL: KIT M (for thinner)**

**OPTIONAL: KIT F (for thinner)**

- **Solvent zone**
- Automatic wash with diaphragm pump feeding recirculating thinner
- Mechanical block of the lid during automatic washing cycle
- Venturi pump feeding clean thinner
- Nebulizer for final rinse with clean thinner
- Air pressure regulator for colour testing
- Colour tests allowed
- 100% Stainless steel
- ATEX II 2G



Dimensions	Weight	Operation	No of spray guns	Air Pressure	Exhaust duct
1190 x 690 x 1490 mm	107 kg	Pneumatic	2	Min 6 - max 10 bar	150 mm

## G60 F Combined. Automatic with water and solvent



II 2G



- Combi unit, automatic and manual wash of waterborne and solvent based paint
- Automatic vapour exhaust from work area
  - Water zone
- Pre-wash with brush and pump fed recirculating liquid
- Nebulizer for final rinse with clean water
- Air gun for final drying
- Water/paint separation kit included
- 
- Solvent zone
- Automatic wash with diaphragm pump feeding recirculating thinner
- Mechanical block of the lid during automatic washing cycle
- Venturi pump feeding clean thinner
- Nebulizer for final rinse with clean thinner
- Air pressure regulator for colour testing
- Colour tests allowed
- 100% Stainless steel
- ATEX II 2G



**OPTIONAL: KIT M (for thinner)**

Dimensions	Weight	Operation	No of spray guns	Air Pressure	Exhaust duct
1190 x 690 x 1490 mm	107 kg	Pneumatic	2	Min 6 - max 10 bar	150 mm





Solutex Ltd

Unit 1, Ellesmere Business Park

Ellesmere, SY12 0EW United Kingdom

Tel: +44 (0) 1691 622225 Fax: +44 (0) 1691 622277

[www.solutex.co.uk](http://www.solutex.co.uk) [info@solutex.co.uk](mailto:info@solutex.co.uk)

